

Features

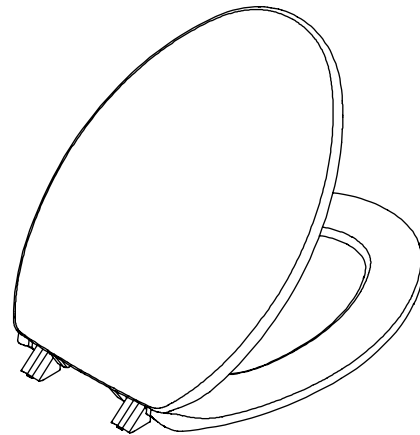
- Solid polypropylene plastic
- Elongated or round front
- With cover
- Closed front

TOILET SEAT
K-4658
ALSO K-4664

Codes/Standards Applicable

Specified model meets or exceeds the following:

- None applicable



Colors/Finishes

- 0: White
- Other: Refer to Price Book for additional colors/finishes

Specified Model

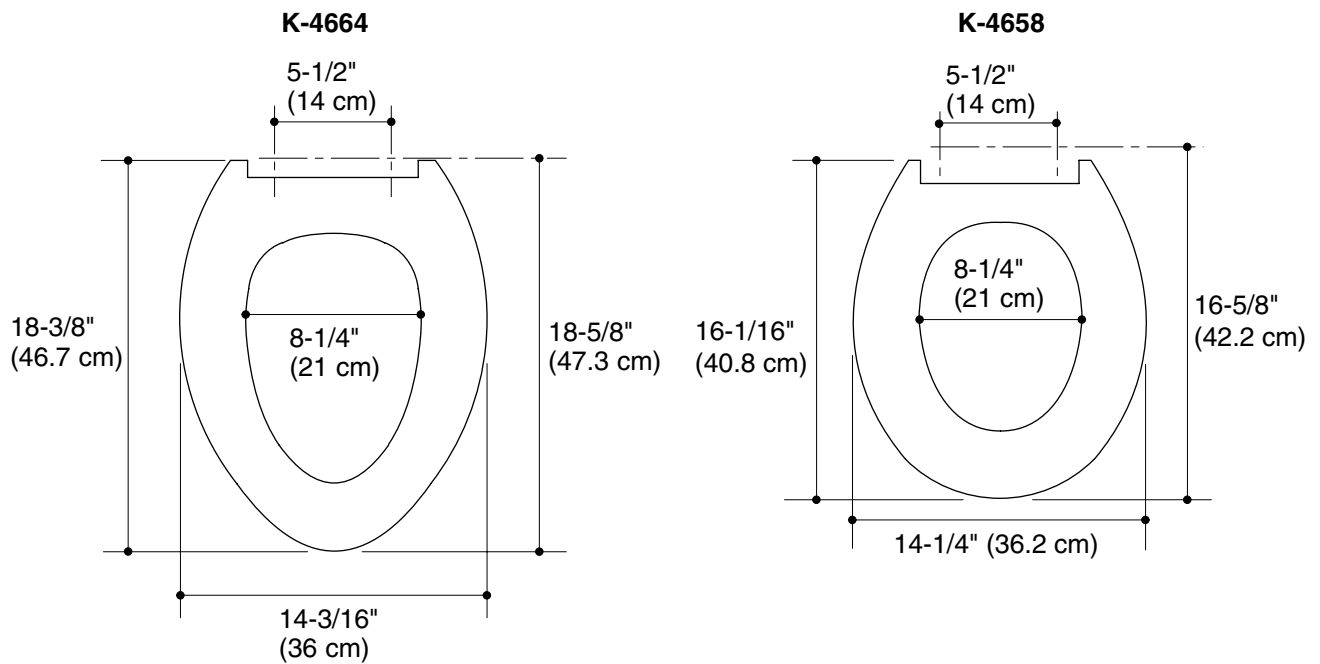
Model	Description	Colors/Finishes	
K-4658	Round front toilet seat	<input type="checkbox"/> 0	<input type="checkbox"/> Other _____
K-4664	Elongated front toilet seat (shown)	<input type="checkbox"/> 0	<input type="checkbox"/> Other _____

Product Specification:

The closed front toilet seat with cover shall be made of solid polypropylene plastic. Toilet seat shall be available with an elongated or round front. Toilet seat shall be Kohler Model K-_____-_____.

Installation Notes

Install this product according to the installation guide.



Product Diagram