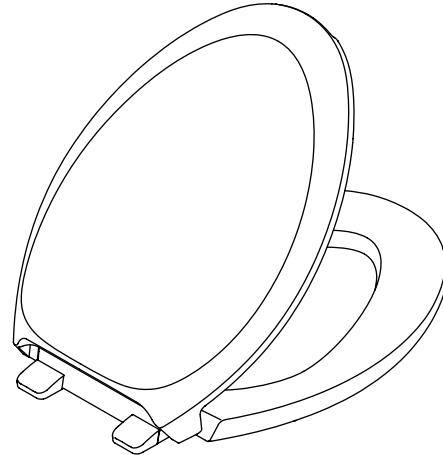


FRENCH CURVE™

Features

- Slow closing lid and ring prevents slamming
- Quick release hinge for ease of cleaning
- Ergonomically contoured seat for user comfort
- Ergonomic cover for easy opening
- Solid polypropylene plastic
- Closed front
- Hinge caps snap open to release
- Seat pulls forward for removal
- Hydraulic slow-closing device
- Elongated front

QUIET-CLOSE™ SEATS WITH QUICK-RELEASE™ FUNCTIONALITY **K-4713**



Codes/Standards Applicable

Specified model meets or exceeds the following:

- None applicable

Colors/Finishes

- 0: White
- Other: Refer to Price Book for additional colors/finishes

Specified Model

Model	Description	Colors/Finishes	
K-4713	Elongated closed front seat with Quiet-Close and Quick-Release functionality	<input type="checkbox"/> 0 White	<input type="checkbox"/> Other_____

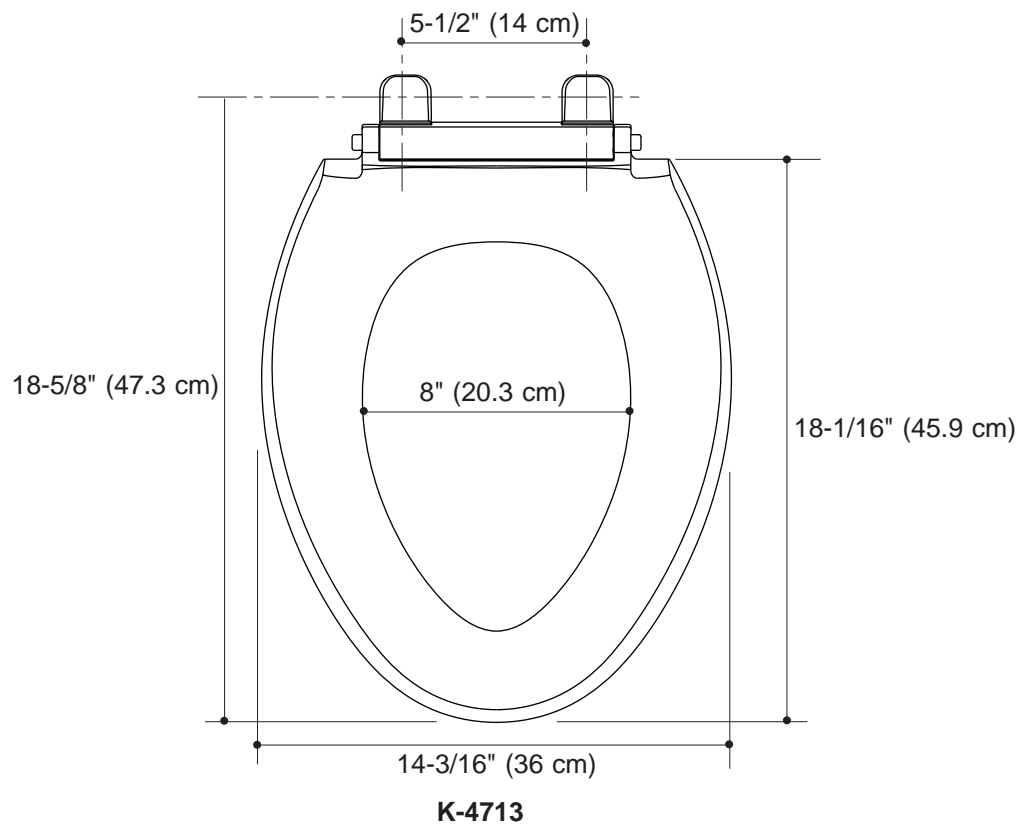
Product Specification:

The toilet seat ring and lid shall be slow-closing to eliminate slamming. The slow-closing device shall be of the hydraulic type. The entire seat shall quick release from the toilet allowing for ease of cleaning of the toilet and seat. The quick release system shall consist of hinge caps that snap open to release and the seat shall pull forward for removal. The toilet seat shall be elongated closed front with ergonomically contoured seat for user comfort. The toilet seat shall be made of solid polypropylene. Toilet seat shall have ergonomic cover for easy opening. Toilet seat shall be Kohler Model K-4713-_____.

FRENCH CURVE™

Installation Notes

Install this product according to the installation guide.



Product Diagram