

### Features

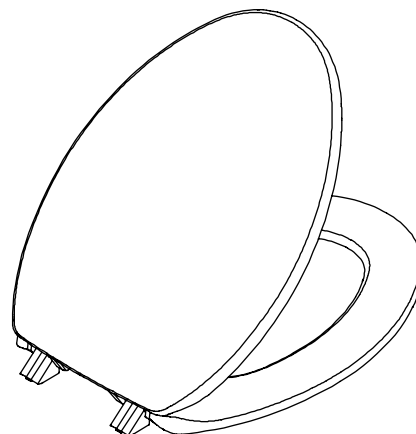
- Solid polypropylene plastic
- Elongated or round front
- With cover
- Closed front

**TOILET SEAT**  
**K-4658**  
**ALSO K-4664**

### Codes/Standards Applicable

Specified model meets or exceeds the following:

- None applicable



### Colors/Finishes

- 0: White
- Other: Refer to Price Book for additional colors/finishes

### Specified Model

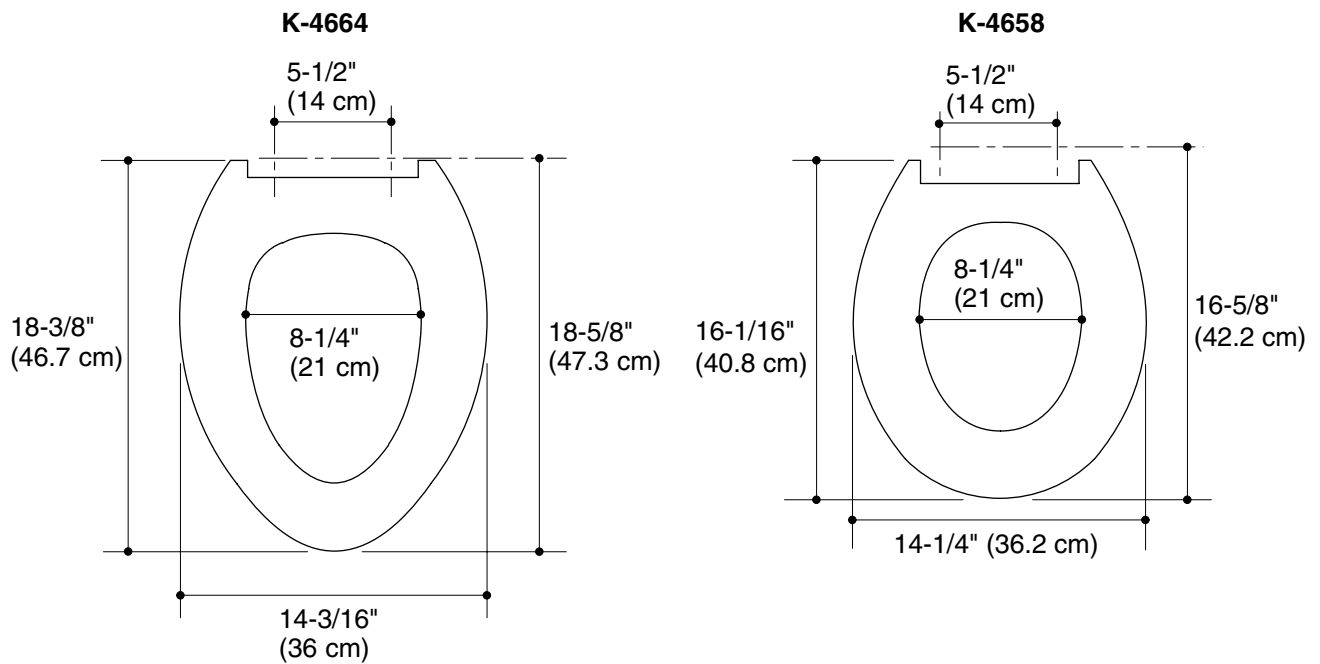
Model	Description	Colors/Finishes	
K-4658	Round front toilet seat	<input type="checkbox"/> 0	<input type="checkbox"/> Other _____
K-4664	Elongated front toilet seat (shown)	<input type="checkbox"/> 0	<input type="checkbox"/> Other _____

### Product Specification:

The closed front toilet seat with cover shall be made of solid polypropylene plastic. Toilet seat shall be available with an elongated or round front. Toilet seat shall be Kohler Model K-\_\_\_\_\_-\_\_\_\_\_.

## Installation Notes

Install this product according to the installation guide.



## Product Diagram